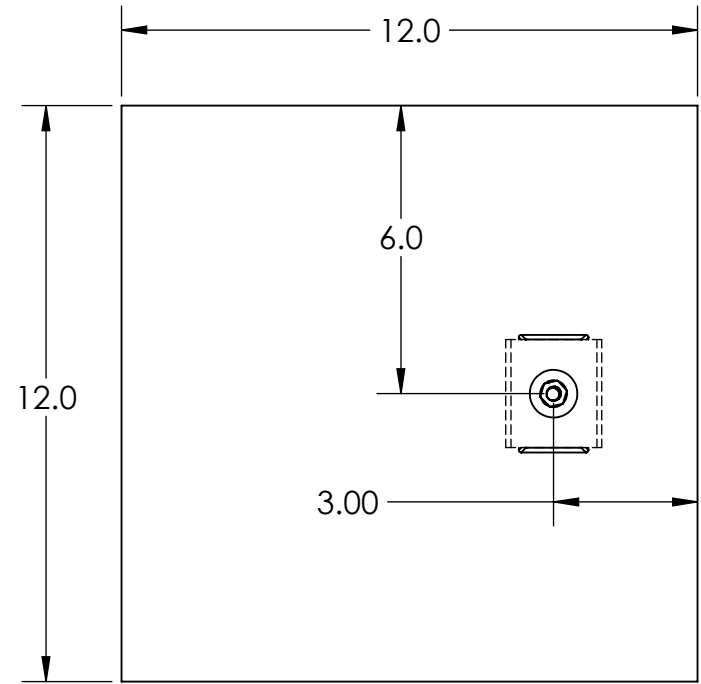
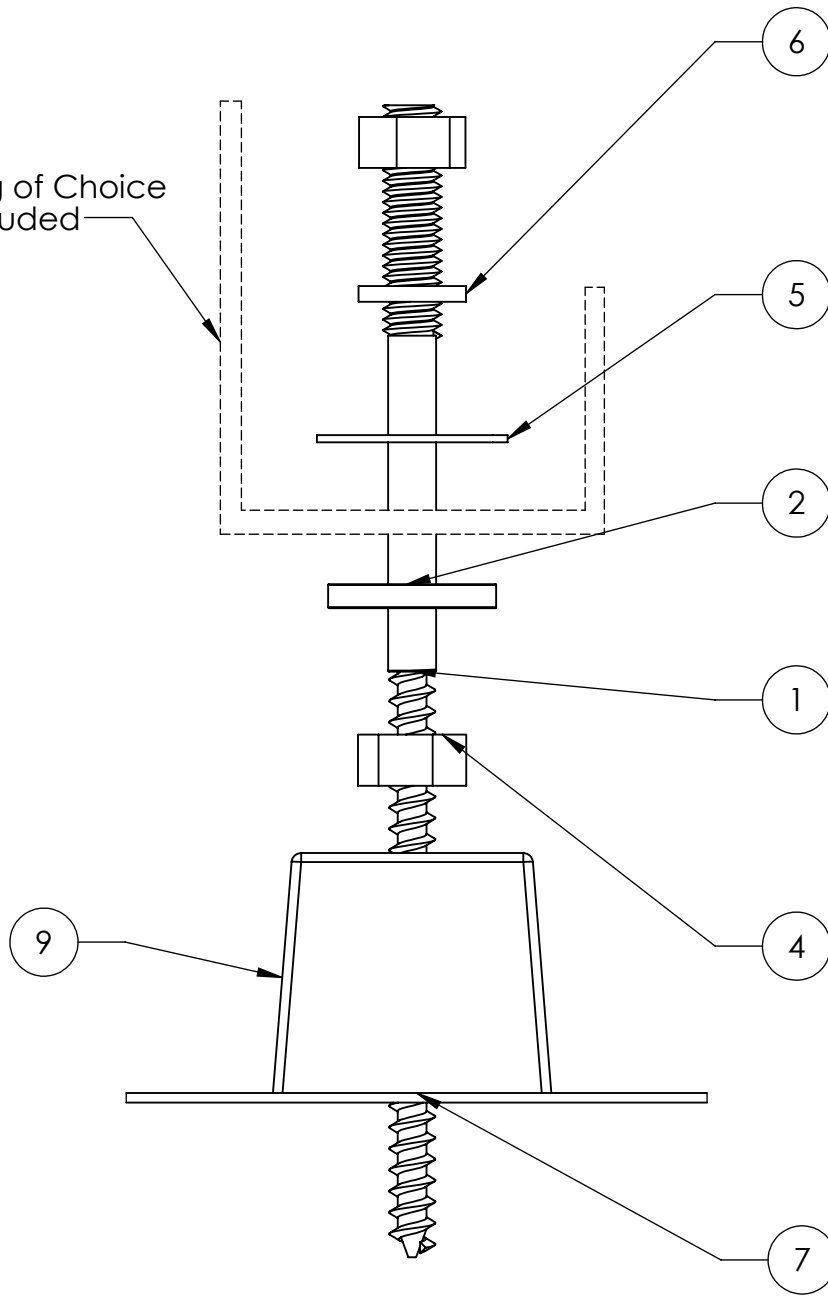


Racking of Choice
Not Included



ITEM NO.	DESCRIPTION	QTY.
1	Hanger Bolt 5/16" x 6" SS	1
2	EPDM .296 ID X .875 OD	1
3	Sealing Washer 5/16" x 3/4"	1
4	Hex Nut 5/16-18 SS	2
5	Fender Washer 5/16" X 1" SS	1
6	Split Lock Washer 5/16" SS	1
7	Sheet .050"x12"x12" Aluminum	1
8	Fastener .499x.750 H1976	1
9	Cast Block	1